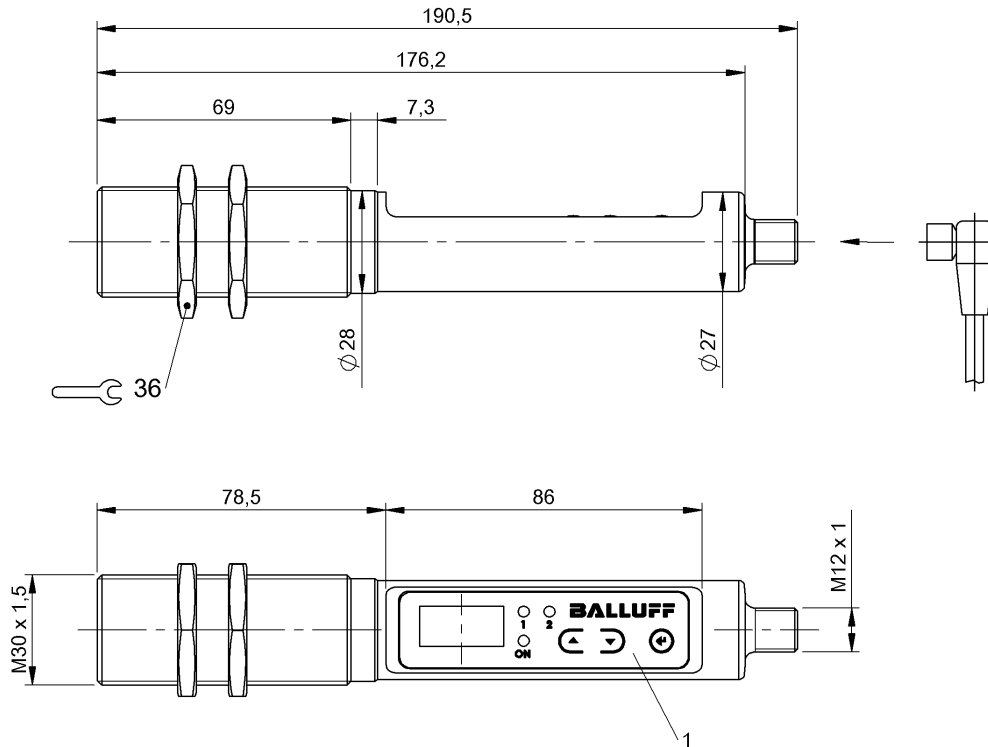


## BTS M30E0-PSB-H0001-S04G BTS0003



1) Display and control panel

### Electrical connection

Connection	M12x1-Connector, 4-pole
Polarity reversal protected	yes
Short-circuit protection	yes

### Electrical data

Hysteresis H max.	1 °C
Load capacitance max. at U <sub>e</sub>	70 nF
Load resistance max., analog output	500 Ohm
MTTF (40 °C)	89 a
Operating voltage U <sub>b</sub>	10...30 VDC
Protected against miswiring	yes
Rated insulation voltage U <sub>i</sub>	250 V AC
Rated operating current I <sub>e</sub> DC	100 mA
Rated operating voltage U <sub>e</sub> DC	24 V
Ready delay t <sub>v</sub> max.	3.5 s
Residual current I <sub>r</sub> max.	10 µA
Switching frequency	100 Hz

### Environmental conditions

Ambient temperature	-5...65 °C
---------------------	------------

Protection class	II
Protection type IEC 60529	IP65IP67
Relative humidity	95 %, non-condensing
Storage temperature	-25...70 °C

### Functional safety

Diagnostic coverage	0.0 %
Functional safety	no

### General data

Approval/Conformity	CE
Series	M30E0

### Material

Housing material	Stainless steel, Stainless steel (1.4404) Aluminum, black anodized, Aluminium (3.3206)
Material sensing surface	Borosilicate crown glass (N-BK7), coated

## BTS M30E0-PSB-H0001-S04G BTS0003

### Mechanical data

Dimension	Ø 30 x 190 mm
Fastening detail	Nut M30x1.5
Tightening torque max.	80 Nm
Weight	300 g

### Output/Interface

Analog output	Analog, current, 4...20 mA
---------------	----------------------------

Switching output

PNP Normally open/Normally closed (NO/NC)

### Range/Distance

Measuring range	250...1250 °C
Reproducibility	±1 °C
Ripple max. (% of Ue)	15 %

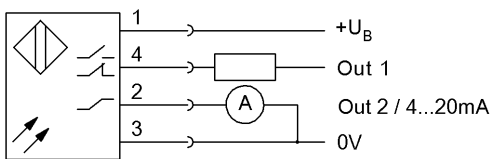
For further information on MTTF/B10d, please refer to the MTTF / B10d Certificate.

Specification of the MTTF value and the B10d value do not represent any binding quality and/or life expectancy guarantees.

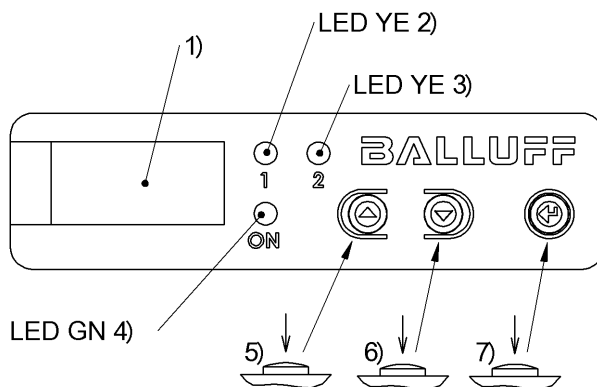
### Connector view



### Wiring Diagram



### Additional View



1) Display 2) Output 1 active

3) Output 2 active

4) Operating voltage 5) Scroll / increase value 6) Scroll / Reduce value 7) Menu, confirm selection